

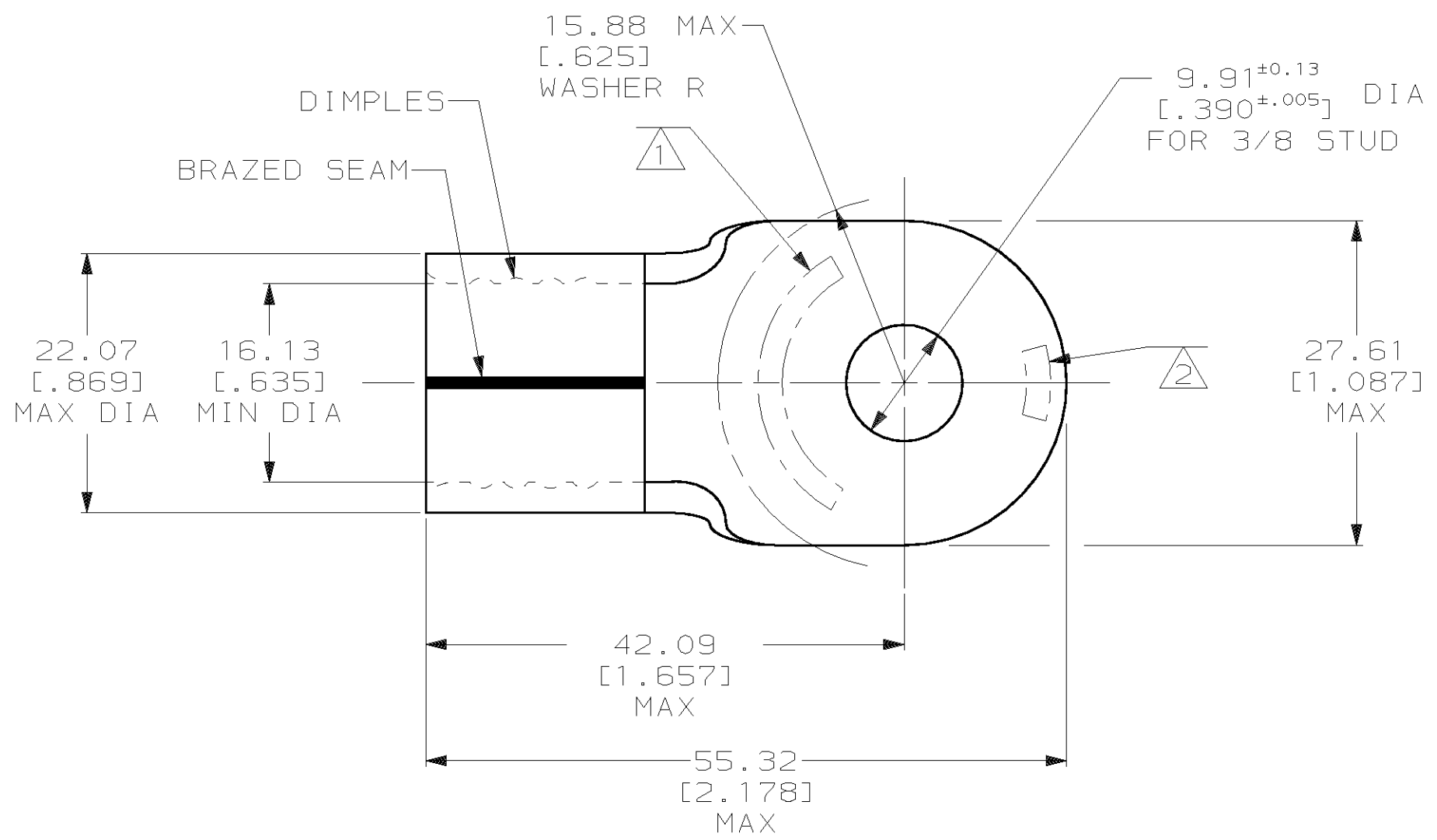
THIS DRAWING IS UNPUBLISHED. RELEASED FOR PUBLICATION, 19 .
 © COPYRIGHT 19 BY AMP INCORPORATED. ALL INTERNATIONAL RIGHTS RESERVED.

LOC G	DIST 14	P	F	REVISIONS			DATE	APPD
				ZONE	LTR	DESCRIPTION		
					H	REV / 0G10-0049-99	06APR99	MLE MS

AMP PART NO	MATERIAL	PKG TYPE	QTY
8-321878-5	M/F 8-321878-0	BOX	5
8-321878-6	M/F 8-321878-0	SPL	5

OBSOLETE

AMP WIRE RANGE	UL E13288 Listed
4/0 AWG SOLID OR STRANDED	4/0 AWG SOLID OR STRANDED
LR7189 Certified	MILITARY P/N AND CLASS
4/0 AWG SOLID OR STRANDED	MS 20659-123 CLASS 2



- ① STAMP AMP 4/0W* APPROX AS SHOWN
- ② STAMP AMP 200 APPROX AS SHOWN
- 3 MATERIAL THK: 2.59±0.08 [.102 ±.003]

**AMP INCORPORATED
CUSTOMER SERVICE SYSTEMS**

FOR ADDITIONAL PRODUCT INFORMATION OR COPIES OF DRAWINGS AND TECHNICAL DOCUMENTS
 PRODUCT INFORMATION CENTER
 1-800-522-6752

FOR APPLICATION TOOLING INFORMATION
 TOOLING ASSISTANCE CENTER
 1-800-722-1111

FOR ORDER ENTRY
 1-800-526-5142

MAX RECOMMENDED OPERATING TEMPERATURE:
 170°C MAX

VOLTAGE RATING:
 NOT APPLICABLE

WIRE CROSS SECTIONAL AREA RANGE:
 96.3-117.0mm² [190,000-231,100] CIR MILS
 SOLID OR STRANDED

THIS DRAWING IS A CONTROLLED DOCUMENT FOR AMP INCORPORATED. IT IS SUBJECT TO CHANGE AND THE CONTROLLING ENGINEERING ORGANIZATION SHOULD BE CONTACTED FOR THE LATEST REVISION.

DO NOT SCALE PRINT. UNLESS SPECIFIED DIMENSIONS IN mm [INCHES] TOLERANCES ON:
 2 PLC DEC ± 0.20[.008]
 3 PLC DEC ± -
 ANGLES ± -

MATERIAL
 COPPER PER ASTM B-152 ANNEALED

FINISH
 TIN PLATE
 0.00254[.000100] MIN THK PER ASTM B 545

DR	5/25/93
CHK	DK SCHRUM
APPD	1/27/94
APPD	1/27/94
PRODUCT SPEC	RE ROSEY
APPLICATION SPEC	CR RHOADS
WEIGHT	-

AMP AMP Incorporated Harrisburg, PA 17105-3608		
NAME TERMINAL, RING TONGUE, SOLISTRAND™		
SIZE B	CAGE CODE 00779	DRAWING NO C-321878
SCALE 2:1	SHEET 1 OF 1	

321878
PART NO